

FOR INSTALLATION ENGINEERS



installation instructions [en]
Stûv 16-up

11-2016 – SN 174001 > ...

This Stûv stove has been designed to offer you maximum comfort and safety. It has been manufactured with the greatest of care. If however you should find the slightest dissatisfaction with it, please contact your supplier.

We recommend that you read these instructions prior to installation.

Some configurations might have an impact on the sequence of operations to be performed.

Contents

PRESENTATION OF THE PRODUCT	3
Standards, certification and technical characteristics	3
Dimensions	4
Overview	5
Recommandations	5
Tools	6
INSTALLATION	7
Installing the S16-Up bracket	7
CONTACTS	11

PRESENTATION OF THE PRODUCT

Standards, certification and technical characteristics


The Stûv 16-up stoves (for intermittent operation) comply with the requirements of EN European Standards in terms of efficiency, gas emissions, safety etc....


Data provided in this notice are supplied by a certified laboratory.


The Stûv 16-up stove technically comprises a Stûv 16-cube installed on a base. All information concerning the Stûv 16-cube thus applies to the Stûv 16-up.



Test results according to EN 13240: 2001 and 13240-A2: 2004 standards (stoves)

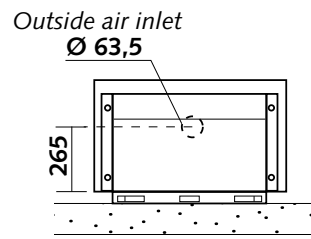

Stûv sa B-5170 Bois-de-Villers (Belgium)
QA161322918 EN 13240: 2001 / A2: 2004
Wood stove Stûv 16/58-Up
Minimum safety distance from adjacent combustible materials: – behind: Non-combustible wall – on the sides: 25 cm
Recommended fuel: wood logs only CO emissions: < 0.09% Average smoke temperature at rated power: 283°C Nominal heat power: 7 kW Efficiency: 78% Particle emissions: 11 mg/Nm ³ Please read the installation instructions and directions for use!


Stûv sa B-5170 Bois-de-Villers (Belgium)
QA161322918 EN 13240: 2001 / A2: 2004
Wood stove Stûv 16/68-Up
Minimum safety distance from adjacent combustible materials: – behind: Non-combustible wall – on the sides: 15 cm
Recommended fuel: wood logs only CO emissions: < 0.10% Average smoke temperature at rated power: 281°C Nominal heat power: 7,5 kW Efficiency: 77% Particle emissions: 19 mg/Nm ³ Please read the installation instructions and directions for use!

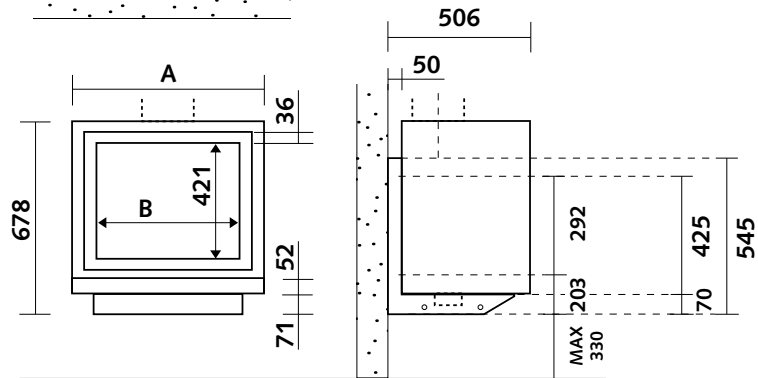

Stûv sa B-5170 Bois-de-Villers (Belgium)
QA161322918 EN 13240: 2001 / A2: 2004
Wood stove Stûv 16/78-Up
Minimum safety distance from adjacent combustible materials: – behind: Non-combustible wall – on the sides: 15 cm
Recommended fuel: wood logs only CO emissions: < 0.09% Average smoke temperature at rated power: 318°C Nominal heat power: 8 kW Efficiency: 75% Particle emissions: 13 mg/Nm ³ Please read the installation instructions and directions for use!

Stûv 16-up

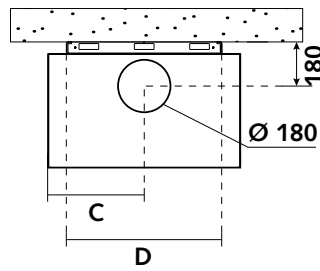
view from below



front and profile views



view from above



	A	B	C	D
Stûv 16/58-cube	580	448	290	430
Stûv 16/68-cube	680	548	340	530
Stûv 16/78-cube	780	648	390	630

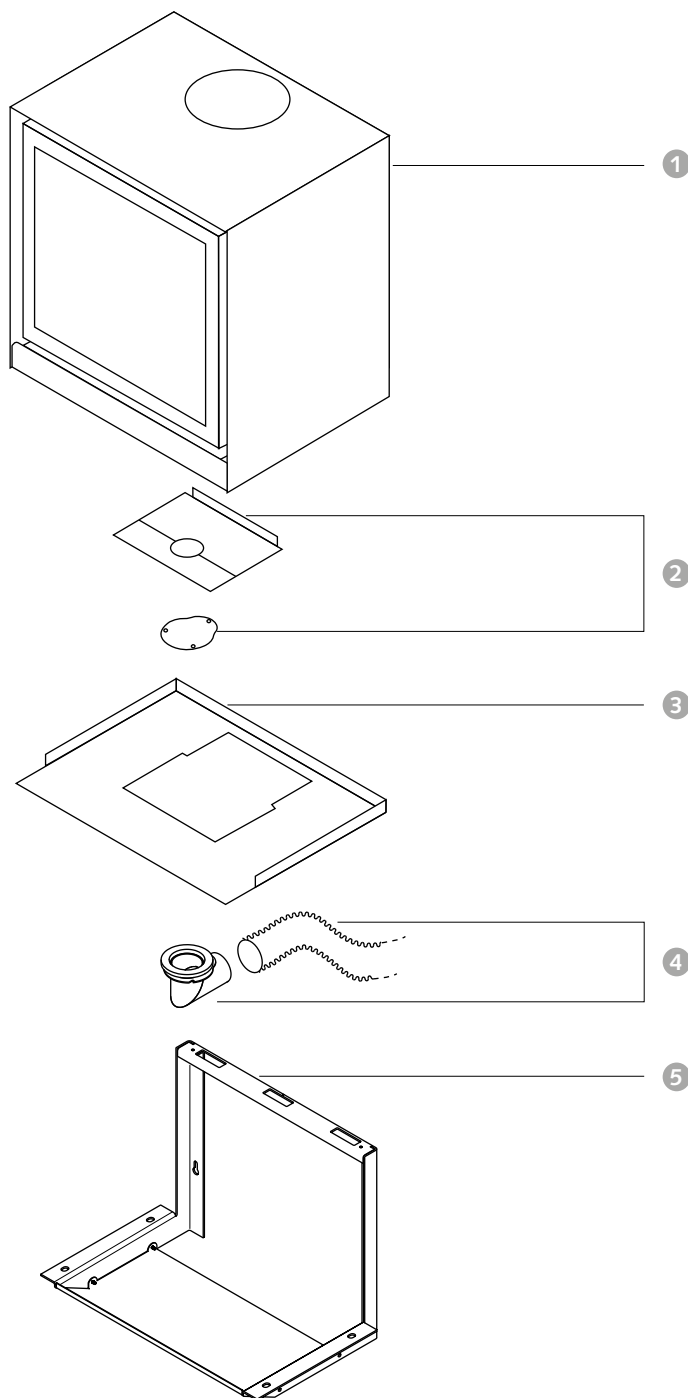
Overview

Included with the stove (basic)

- [1] fireplace
- [2] cable outlet
- [3] support plate

Option

- [4] Outside air intake kit: Flue outlet + Ø 63 mm flexible tubing (3 m)
- [5] S16-Up bracket



Recommandations

We strongly recommend you entrust the installation of this Stûv to a qualified professional who is able to ensure that the characteristics of the smoke flue correspond to the stove installed.

The installation of the stove, its accessories and surrounding materials must adhere to all regulations (local

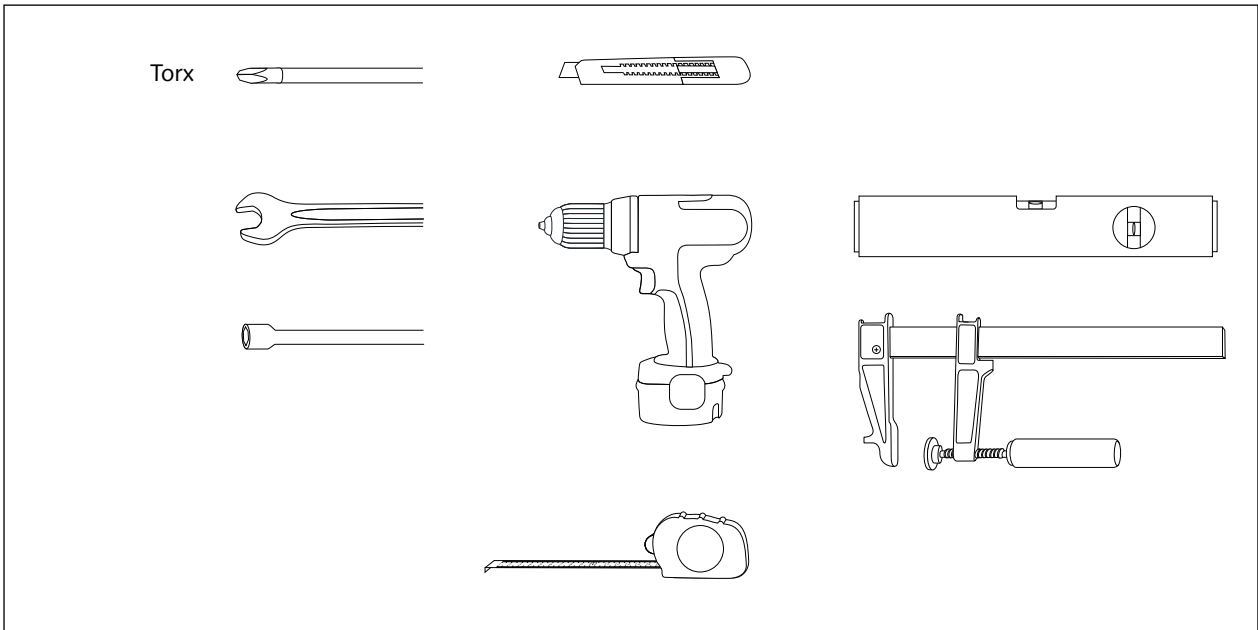
and national) and all standards (national and European).

Some national and local regulations require the installation of an access flap in the connection between the stove and the smoke flue.

The stove has to be installed in such a way as to facilitate access to sweep

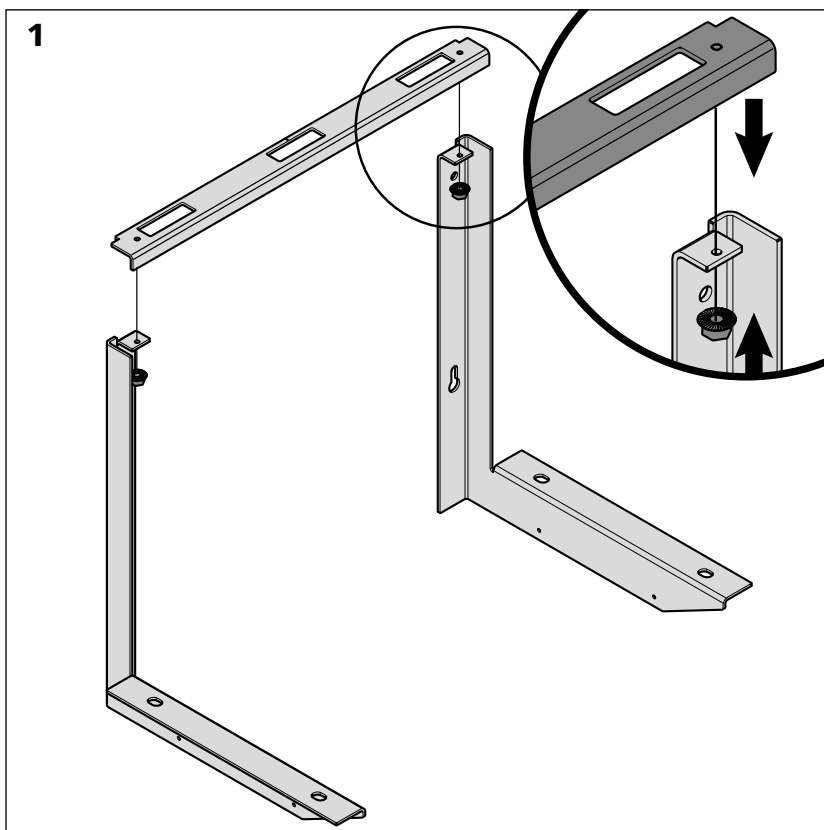
the stove, the connection duct and the smoke flue.

Any modification made to the system may be dangerous and will invalidate the guarantee.

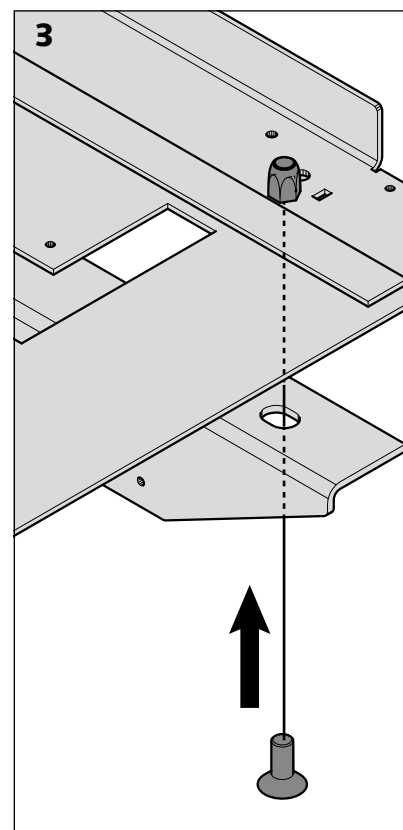
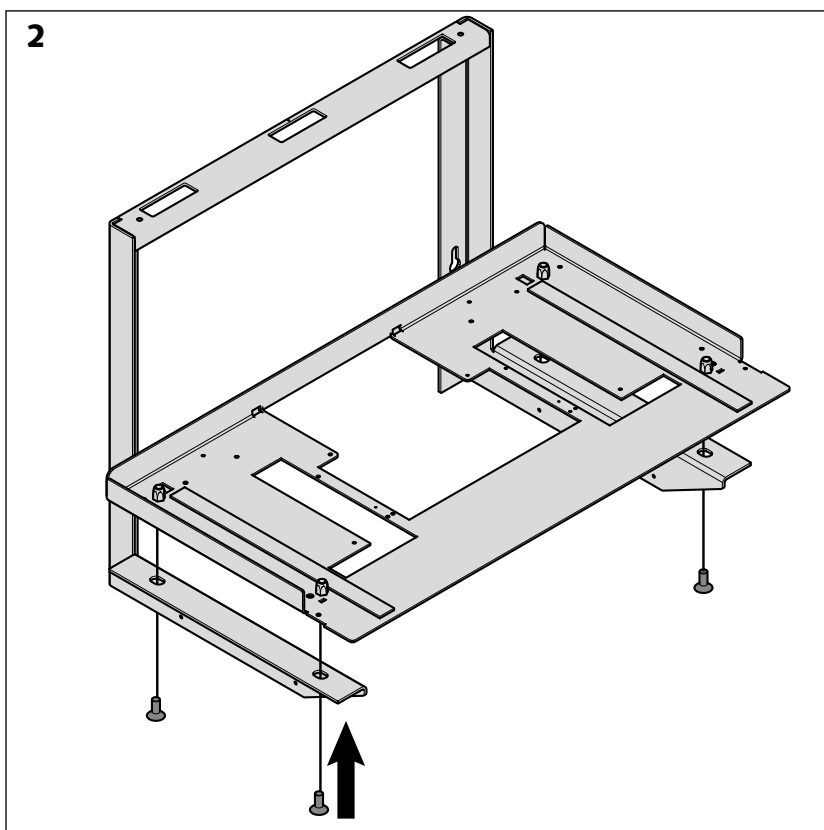


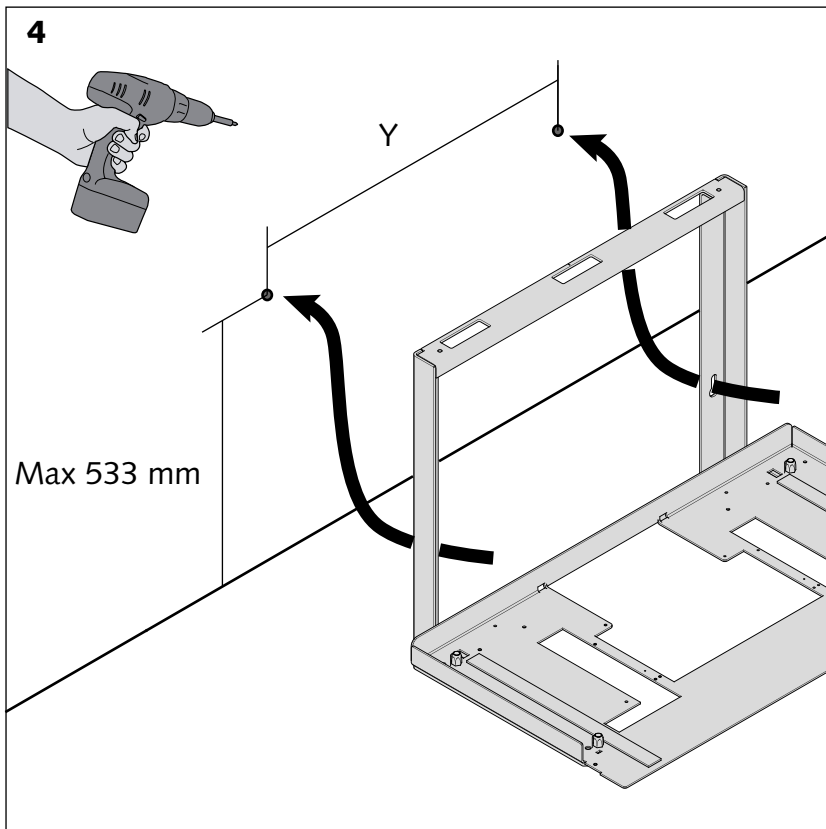
INSTALLATION

Installing the S16-Up bracket



When fitting the pre-installation plate [diagrams 2 & 3], engage the screws but do not tighten them. Final fixing does not take place until the stove has been positioned





Take care to fix the bracket through the 2 keyholes at the bottom
The maximum height measurement is 533 mm.

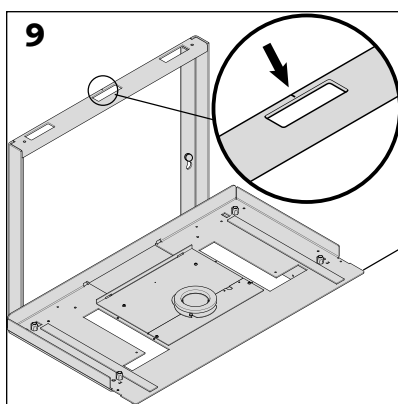
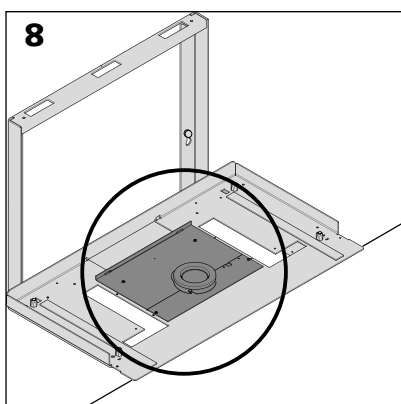
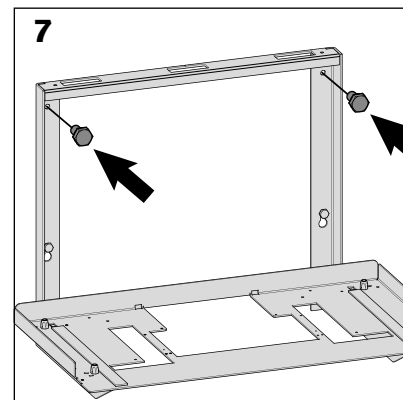
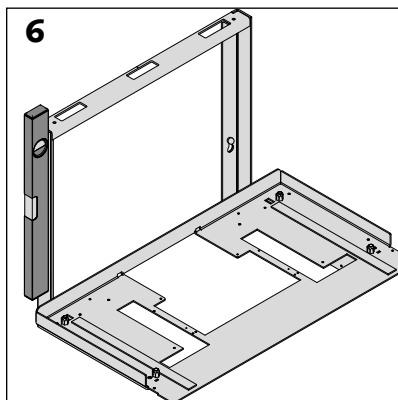
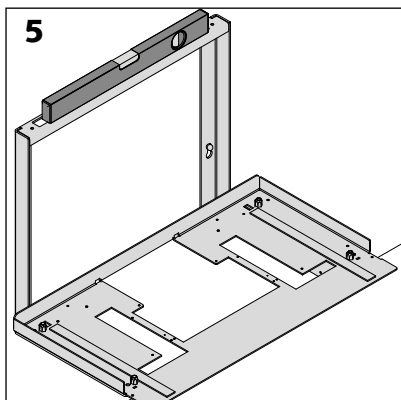
The width measurement is [Y]:

- 380 mm for S16/58
- 480 mm for S16/68
- 580 mm for S16/78

The wall-mounting screws [diagrams 4 & 7] are not supplied by Stûv. Be sure to use equipment appropriate for the nature of the wall.

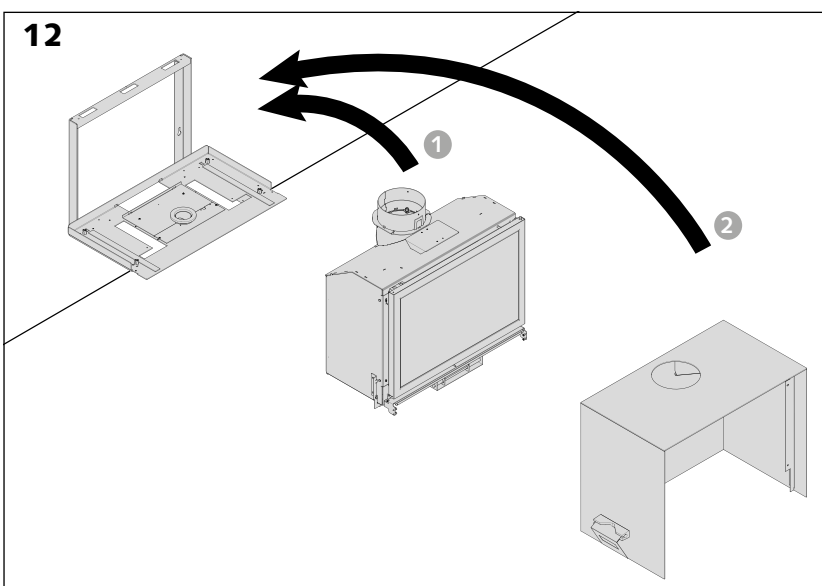
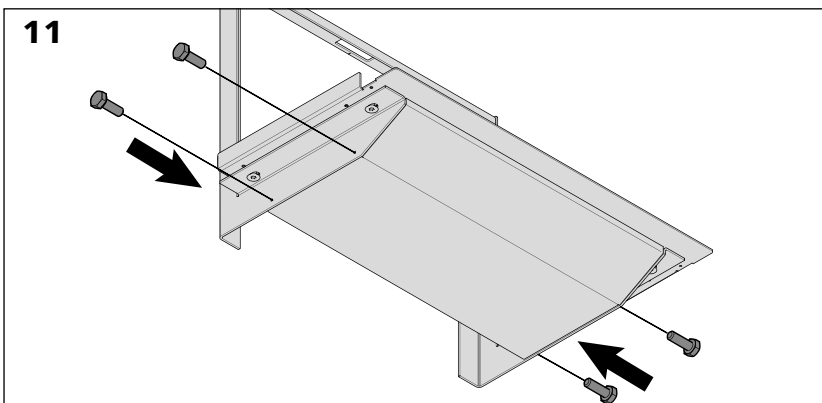
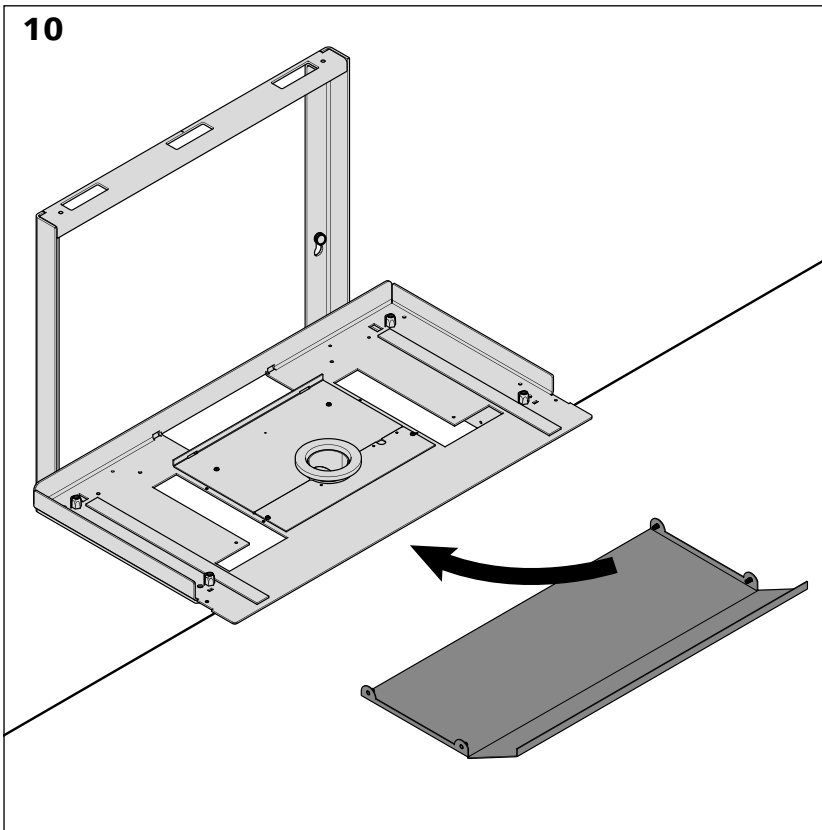
Warning!

The space provided for inserting the screw is 100 mm: take care to use a compatible size. Do not use countersunk screws.

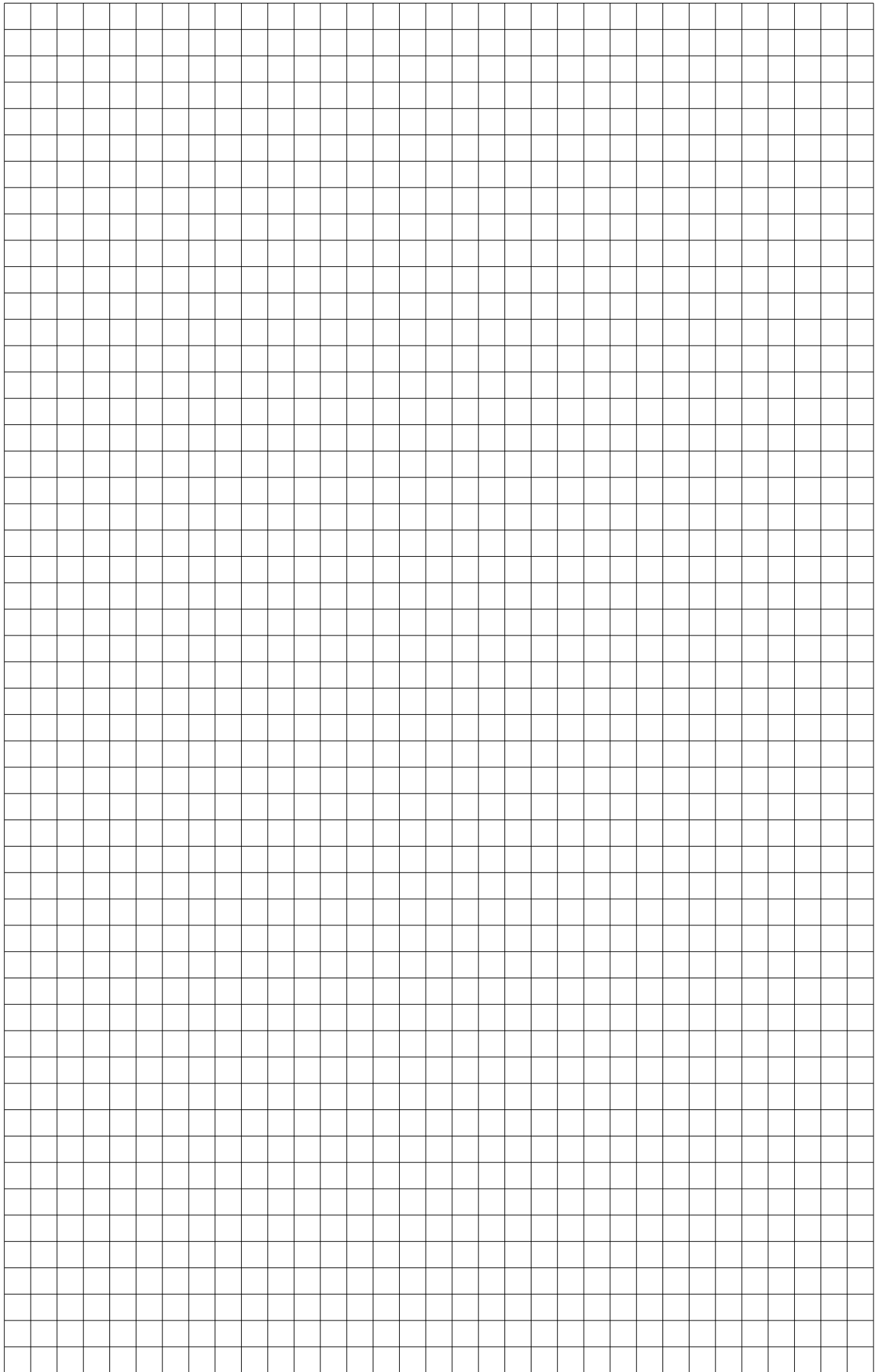


When installing the external air feed [image 8] refer to the Stûv 16 installation instructions, Chapter " "Combustion air connection" " .

The centre corresponding to the vertical from the smoke outlet is indicated by a mark on the top rule [diagram 9].



When installing the stove [image 12] refer to the Stuv 16 installation instructions, Chapter "Positioning of the stove".



CONTACTS

Stûv stoves are designed and manufactured in Belgium by:

Stûv sa
rue Jules Borbouse 4
B-5170 Bois-de-Villers (Belgium)
info@stuv.com – www.stuv.com

Importer for Finland

Ilkka Alatarvas OY
Pikkujärventie 4B
01680 Vantaa
T 400 872 858
www.takkamaailma.com

Importer for Sweden

Eldoform Sverige AB
Slipgatan 2 – 117 39 Stockholm
T 0707 883 53 – www.eldoform.se

Importer for Denmark

Stove APS
Aldershvilevej 84 – 2880 Bagsvaerd
T 51 33 10 93

Importer for Estonia

Tulering Kaminasalong Oü
Sopruse 145 – 13417 Tallinn
T +372 56 249 004 - www.tulering.ee



printed on 100% recycled paper

installation instructions [en]

Stûv 16-up

11/2016 – SN 174001 > ...



Stûv reserves the right to make changes without prior notice.
These instructions have been produced with the greatest of care.
However, we do not accept responsibility for any errors that may have been made.
Editor: Gérard Pitance – rue Jules Borbouse 4 – 5170 Bois-de-Villers – Belgium

[nl] [de] [it] [es] [pt] [cz] [en] [fr] >
This document is available in several
languages: Contact your distributor or visit
www.stuv.com